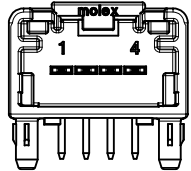
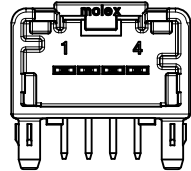


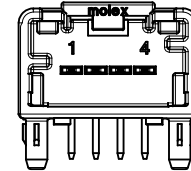
4 CIRCUIT RIGHT ANGLE HEADER
POLARIZATION OPTION A



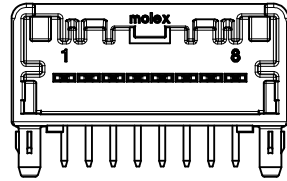
4 CIRCUIT RIGHT ANGLE HEADER
POLARIZATION OPTION B



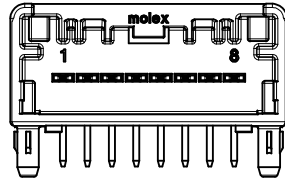
4 CIRCUIT RIGHT ANGLE HEADER
POLARIZATION OPTION C



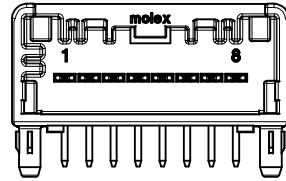
4 CIRCUIT RIGHT ANGLE HEADER
POLARIZATION OPTION D



8 CIRCUIT RIGHT ANGLE HEADER
POLARIZATION OPTION A



8 CIRCUIT RIGHT ANGLE HEADER
POLARIZATION OPTION B



8 CIRCUIT RIGHT ANGLE HEADER
POLARIZATION OPTION C

MINI50 RIGHT ANGLE HEADER ASSEMBLIES

MATERIAL NUMBER		CONFIGURATION	CIRCUIT	POL	COLOR	BLADE PLATING	TOOLED	MATING COMPONENT			
TUBE PACKAGING PK-31301-688	TRAY PACKAGING PK-31301-440							UN-BRIDGED	TOOLED	BRIDGED	TOOLED
34793-9040	34793-0040	USCAR	4	A	BLACK	TIN OVER NICKEL	NO	34791-0040	YES	34791-0140	YES
34793-9041	34793-0041	USCAR	4	B	GRAY	TIN OVER NICKEL	NO	34791-0041	YES	34791-0141	YES
34793-9042	34793-0042	USCAR	4	C	BROWN	TIN OVER NICKEL	NO	34791-0042	YES	34791-0142	YES
34793-9043	34793-0043	USCAR	4	D	GREEN	TIN OVER NICKEL	NO	34791-0043	YES	34791-0143	YES
34793-9080	34793-0080	USCAR	8	A	BLACK	TIN OVER NICKEL	NO	34791-0080	NO	34791-0180	NO
34793-9081	34793-0081	USCAR	8	B	GRAY	TIN OVER NICKEL	NO	34791-0081	NO	34791-0181	NO
34793-9082	34793-0082	USCAR	8	C	BROWN	TIN OVER NICKEL	NO	34791-0082	NO	34791-0182	NO

NOTES: VALID UNLESS OTHERWISE SPECIFIED

1. GENERAL:
 - a. APPLICATION SPECIFICATION SEE: AS-34791-020
 - b. PRODUCT SPECIFICATION SEE: PS-34791-020
 - c. PACKAGING SPECIFICATION PER MOLEX DRAWING; SEE CHART
 - d. SOLDERABILITY PER SMES-152
 - e. PARTS MUST BE IN COMPLIANCE TO MOLEX CHEMICAL SUBSTANCES FOR PRODUCTS AND PACKAGING SPECIFICATION: OEHS-699000-300
 - f. DATA MUST BE SUBMITTED UNDER THE MOLEX PART NUMBER TO IMDS (COMPANY ID#13255)
 - g. FLAMMABILITY REQUIREMENT: PER ISO3795 OR GM3191
 - h. VISUAL DEFECTS SHALL MEET COSMETIC STANDARD PS-45499-002 (Class B)
2. DESIGN - MATERIALS:
 - a. SHROUD (PLASTIC HOUSING): SPS 30% GF, 20% REGRIND MAX PER WEIGHT
 - b. BLADES:
 - BASE METAL: C260 BRASS
 - PLATING REQUIREMENTS:
 - TIN OVER NICKEL:
 - UNDERPLATING:
 - OVERALL NICKEL
 - OVERPLATING:
 - OVERALL TIN
3. DESIGN - GEOMETRY:
 - a. THIS IS A 100% CAD GENERATED PART. THE CAD MATHEMATICAL DATA IS THE MASTER FOR THIS PART. FOR DIMENSIONAL OR ANY INFORMATION NOT SHOWN ON THIS DRAWING, ANALYZE THE CAD MODEL.
 - b. GEOMETRIC DIMENSIONS AND TOLERANCES PER ASME Y14.5M - 2009
 - c. GENERAL TOLERANCES:
 - LINEAR: SEE TITLE BLOCK
 - ANGULAR: ±3°
 - d. EDGES AND UNDIMENSIONED DETAILS PER ISO13715
 - e. CORNERS SHOWN AS SHARP TO BE R 0.1 MAX
 - f. LETTERING SHALL BE 0.10 MAX RAISED. THIS INCLUDES RECYCLING CODE, PLANT AND CAVITY ID, VENDOR ID, AND CIRCUIT ID.

LAST BALLOON ON DRAWING:

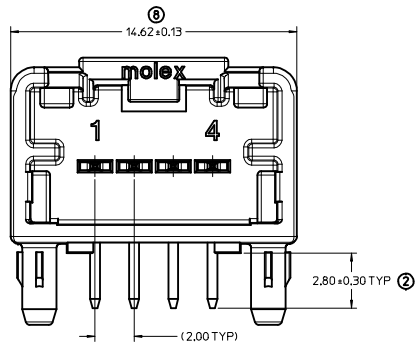
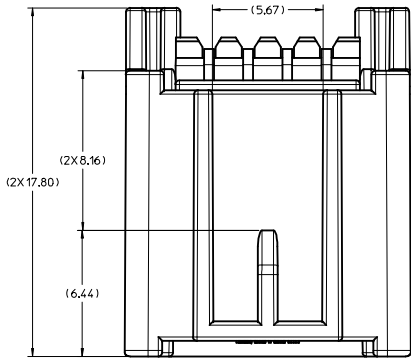
②

DELETED BALLOONS:

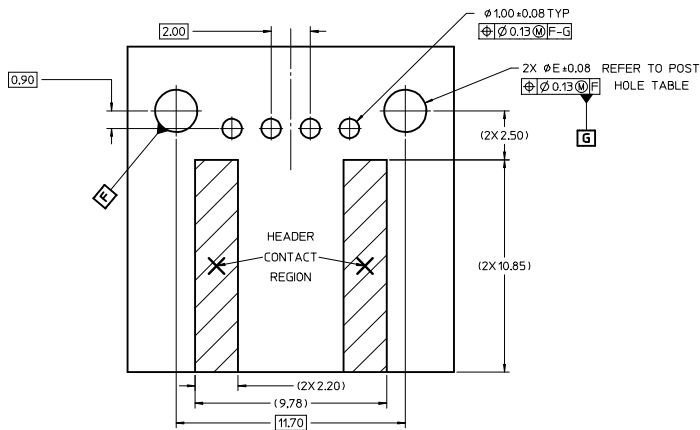
①

ADDED PCB REF DIMS EC NO. JAU2013-1111 DRAWN BY: MACHUGA CHYK: APPROVAL: MAN APPR: RBALMAN DATE: 2013/01/15 2013/01/16	QUALITY SYMBOLS ∇=0 ∇=0 ∇=0	GENERAL TOLERANCES (UNLESS SPECIFIED) mm INCH		DIMENSION STYLE MM ONLY	SCALE 5:1	DESIGN UNITS METRIC	THIRD ANGLE PROJECTION
		4 PLACES ±--- ±--- 3 PLACES ±--- ±--- 2 PLACES ±0.10 ±--- 1 PLACE ±0.20 ±--- ANGULAR ±---°	DRAWN BY: JDUNAJ DATE: 2010/06/21 CHECKED BY: BDLCK DATE: 2010/06/21 APPROVED BY: SMARCEAU DATE: 2011/11/21	TITLE MINI 50 SINGLE ROW R/A HEADER ASSEMBLY SALES DRAWING			
		DRAFT WHERE APPLICABLE MUST REMAIN WITHIN DIMENSIONS		MATERIAL NO. SEE TABLE	DOCUMENT NO. SD-34793-001	MOLEX INCORPORATED	SHEET NO. 1 OF 3

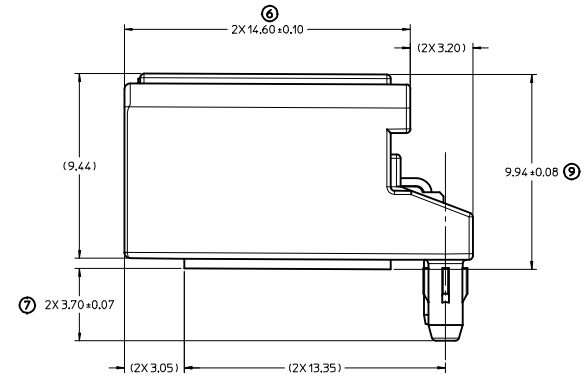
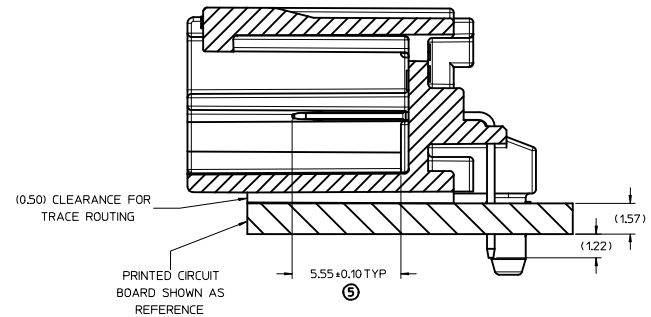
4 CKT RIGHT ANGLE HEADER



PCB LAYOUT
CONNECTOR MATE SIDE



HEADER TO PCB
FLUSH MOUNT

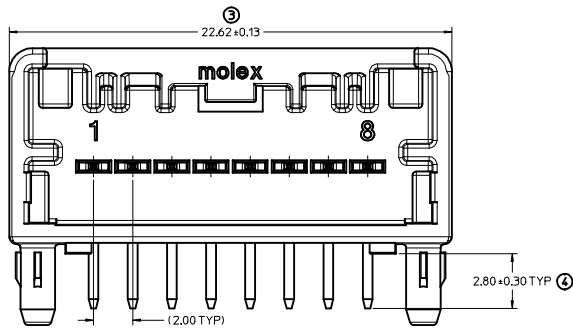
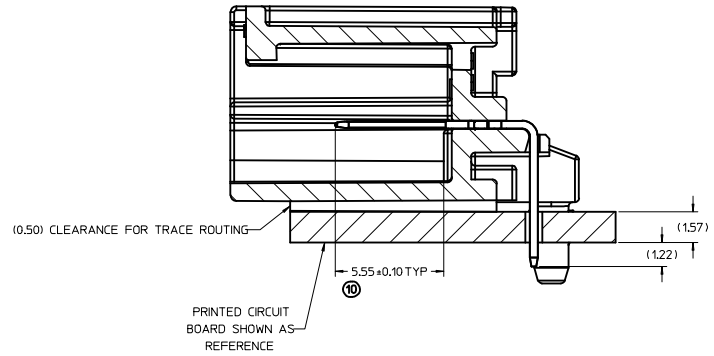
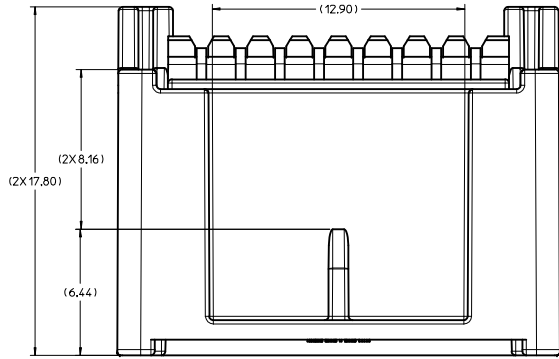


POST HOLE TABLE

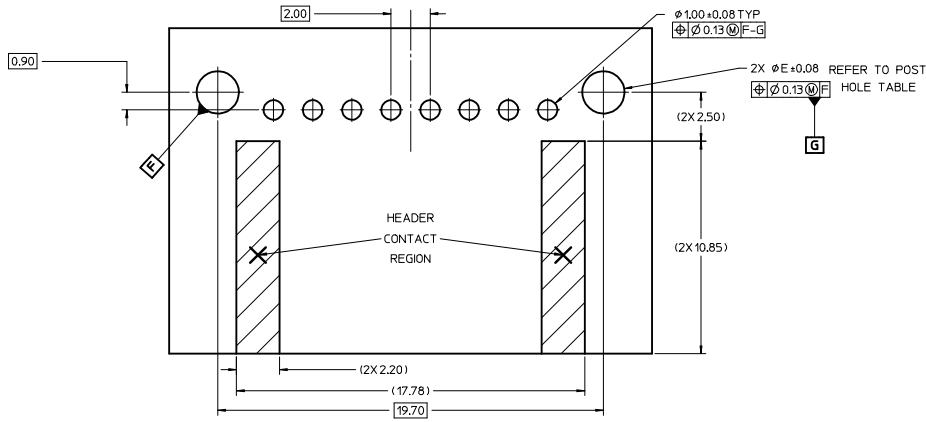
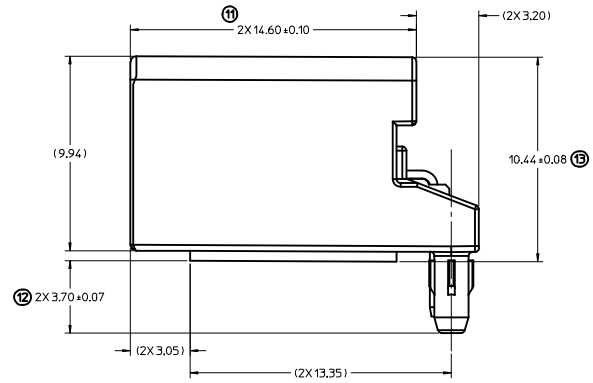
	DIM 'E'
PRESS FIT	2,15
DROP IN	2,55

ADDED PCB REF DIMS EC NO.: UAU2013-1111 DRAWN: MACHIGA 2010/01/15 CHKD: APPR: BALMAIN 2010/01/16	QUALITY SYMBOLS	GENERAL TOLERANCES (UNLESS SPECIFIED)	DIMENSION STYLE	SCALE	DESIGN UNITS	THIRD ANGLE PROJECTION	
	▽=0	mm	MM ONLY	8:1	METRIC	☉	
	▽=0	INCH					
	▽=0						
	4 PLACES ±	±	DRAWN BY	DATE	TITLE		
	3 PLACES ±	±	JDUNA J	2010/06/21	MINI 50 SINGLE ROW		
	2 PLACES ±	±0.10	CHECKED BY	DATE	R/A HEADER ASSEMBLY		
	1 PLACE ±	±0.20	BDICK	2010/06/21	SALES DRAWING		
	ANGULAR ±	°	APPROVED BY	DATE	MOLEX INCORPORATED		
			SMARCEAU	2011/11/21	MOLEX INCORPORATED		
			MATERIAL NO.	DOCUMENT NO.	SD-34793-001		
			SIZE	SEE TABLE			
			DRAFT WHERE APPLICABLE MUST REMAIN WITHIN DIMENSIONS				SHEET NO. 2 OF 3
			THIS DRAWING CONTAINS INFORMATION THAT IS PROPRIETARY TO MOLEX INCORPORATED AND SHOULD NOT BE USED WITHOUT WRITTEN PERMISSION				

8 CKT RIGHT ANGLE HEADER



PCB LAYOUT
CONNECTOR MATE SIDE



POST HOLE TABLE

	DIM 'E'
PRESS FIT	2.15
DROP IN	2.55

ADDED PCB REF DIMS IEC NO: UAU2013-1111 DRAWN: MACHUGA CHYK: APPROVAL: BAUMAN DATE: 2013/01/15	QUALITY SYMBOLS ▽=0 ▽=0 ▽=0	GENERAL TOLERANCES (UNLESS SPECIFIED) mm INCH 4 PLACES ± --- ± --- 3 PLACES ± --- ± --- 2 PLACES ± 0.10 ± --- 1 PLACE ± 0.20 ± --- 0 PLACE ± ± ---	DIMENSION STYLE MM ONLY SCALE 8:1 DESIGN UNITS METRIC THIRD ANGLE PROJECTION	DRAWN BY JDUNAJ DATE 2010/06/21 CHECKED BY BDI CK DATE 2010/06/21 APPROVED BY SMARCEAU DATE 2011/11/21	TITLE MINI 50 SINGLE ROW R/A HEADER ASSEMBLY SALES DRAWING moLEX
	MATERIAL NO. SEE CHART DOCUMENT NO. SD-34793-001	SHEET NO. 3 OF 3	THIS DRAWING CONTAINS INFORMATION THAT IS PROPRIETARY TO MOLEX INCORPORATED AND SHOULD NOT BE USED WITHOUT WRITTEN PERMISSION		
	DRAFT WHERE APPLICABLE MUST REMAIN WITHIN DIMENSIONS		SIZE		
	APPR: BAUMAN		DATE: 2013/01/16		